

**IMPORTANT:**

Read all instructions carefully before attempting installation. If you do not understand these instructions, please consult your local distributor.

Thoroughly inspect the luminaire for any freight damage. Freight damage should be reported to the delivery carrier.

Compare the catalog/model number description on the packing slip with the fixture label to assure that you have received the correct product.

**WARNING:**

Disconnect power during installation and before servicing.

Risk of fire. Product is for outdoor installation and use only.

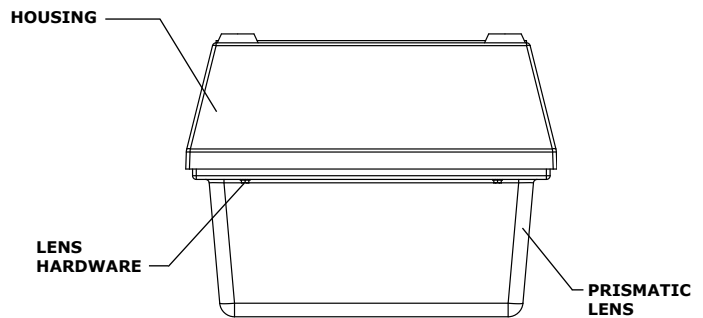
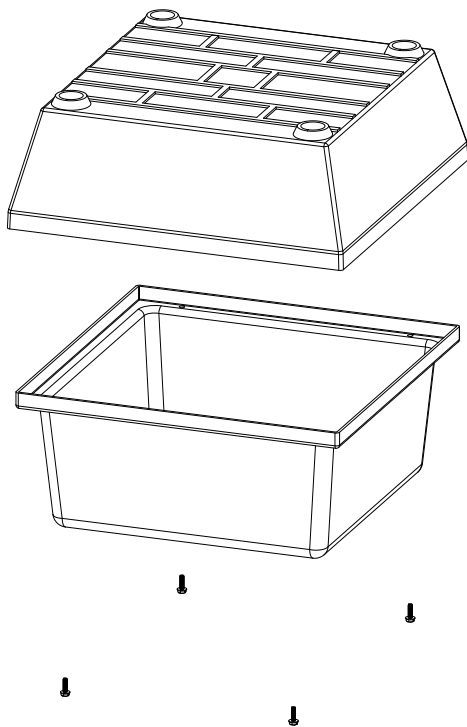
To avoid risk of fire or shock, this fixture must be wired in accordance with the National Electric Code and applicable local codes or ordinances.

All work should be performed by a qualified electrician.

To ensure personal safety, proper grounding is required.

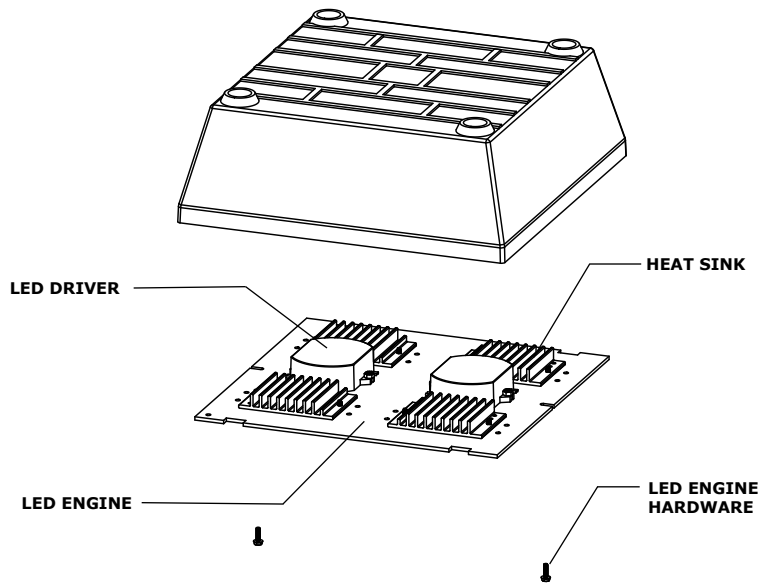
**LUMINAIRE INSTALLATION:**

Detach the Prismatic Lens from the Housing by removing the four (4) pieces of Lens Hardware. Remove LED Light Engine from Housing.



Center the luminaire over the junction box and mark appropriate holes to be drilled to align the housing correctly over the junction box. Pull wires through center hole of mounting plate and housing. Use additional screws/bolts/fasteners along housing to secure the housing to the ceiling.

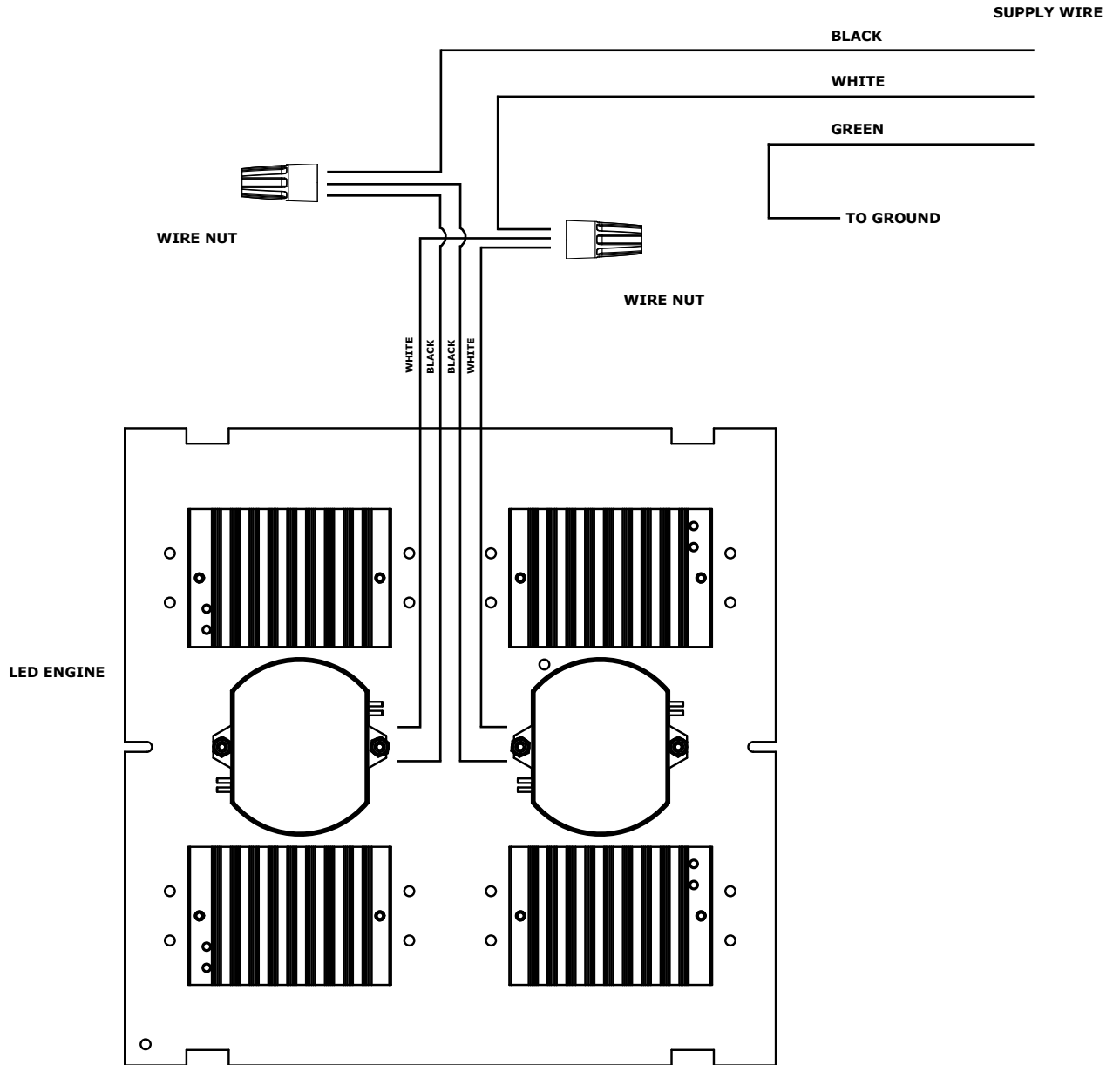
NOTE: DO NOT RELY SOLELY ON FASTENERS AT THE JUNCTION BOX.



Use supplied wire nuts to connect LED Driver input leads to supply leads (refer to wiring diagram on page 2). Replace LED Engine and Prismatic Lens. Make sure that the Lens Gasket is properly seated around the perimeter of the Prismatic lens to ensure a weather-tight seal.

*These instructions do not claim to cover every detail or variation in the equipment or application. These instructions do not claim to cover every possible contingency during installation or maintenance.*

**SCH SERIES LUMINAIRE WIRING DIAGRAM:**



\* All data subject to change without notice.

Reference [www.EvoLuciaLighting.com](http://www.EvoLuciaLighting.com) or contact [sales@sunoviaenergy.com](mailto:sales@sunoviaenergy.com) for additional information

**EvoLucia, Inc.**

6408 Parkland Dr. Suite 104  
Sarasota, FL 34243  
Tel: (866) 806-7868  
Fax: (941) 751-3583

EvoLucia is a division of Sunovia Energy Technologies, Inc.