

LED Post-Top Retrofit Kit

100-175W Replacement

www.evoluminalighting.com

- Saves up to 50% of energy usage
- Extremely durable; up to 70,000 hour life with no bulb replacement
- Designed to easily retrofit standard traditional "acorn" style post top luminaires
- Cutting-edge "heat sink" technology keeps the LEDs at their optimum performance temperature and extends product life
- Ideal for streetscapes, roadway, parks, mixed-use developments, and university campuses.
- Attractive village-style design
- Made in America and ARRA-Compliant



Features

- **Applications:** LED retrofit for existing post-top luminaires. Ideal for streetscapes, walkways, parks, university campuses, marinas, mixed-use developments, town centers and more.
- **Light Distribution:** Type V
- **Input Wattage:** Available in 48, 60 or 90 Watts
- **L70 Life Expectancy:** 70,000+ hours
- **Durability:** Powdercoat finish suitable for maritime environments.
- **Efficacy:** Up to 60 lumens per watt
- **CRI:** 70 or above
- **Warranty:** Manufacturer warrants products to be free from defects for a period of five (5) years. Please refer to complete warranty and terms and conditions document.

Specifications

Heatsink/Adapter Collar:

One-piece cast, low-copper (<0.4% Cu) aluminum alloy housing acts as a coupling device with existing post-top fitter and globe and provides platform for LEDs, reflector, electronic driver and components. Replacement globes are available for order, and will ensure maximum light output.

Collar Mounting:

Mounts easily to a standard post-top fitter designed for a globe with a 8" or 9" neck outside diameter. The existing globe mounts directly to the collar.

LED Modules:

The LED light engine utilizes an aluminum metal-clad board for maximum heat transfer and supreme thermal management to extend product life. The modules consist of various secondary optics allowing direction and intensity of the light to be tightly controlled. Control of the LEDs allows EvoLucia fixtures to maintain light levels equal to or greater than that of MH and HPS fixtures at much lower energy consumption levels.

LED Driver:

The LED driver is a constant-current device with a high-power factor correction to maximize power utilization. The driver meets UL 1310 / UL48 Class 2 with a built-in over-temperature protection. Input voltage from 100-277 VAC. Passes FCC part 15, class B for both conducted and radiated emissions.

Finish/Color:

Finish is TGIC thermoset polyester powder coat paint, 2.5 mil nominal thickness; A.S.T.M. B-119. The standard color is black. Custom colors are available; consult factory.



Advantage!
www.gsaadvantage.gov

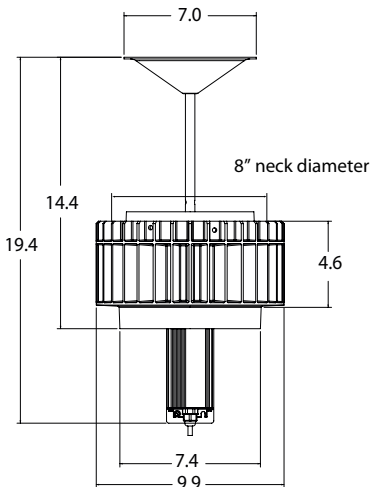
* All data subject to change without notice.

Reference www.EvoLuciaLighting.com or contact sales@sunoviaenergy.com for additional information. REV 01-2011
106 cattlemen road • sarasota fl 34232 • (941) 751-6800 • 1-866-806-7868 • www.evoluminalighting.com

© 2011 EvoLucia® Inc.

Project:	Approval:
Specifier:	

Technical Specifications



8" Fitter



PFCN10, PF10



PTR8

EPA: .425 ft²

Weight: 12.5 lbs (5.67 kg)

Height: 19.4" (48.28 cm)

Diameter: 9.9" (25.15 cm)

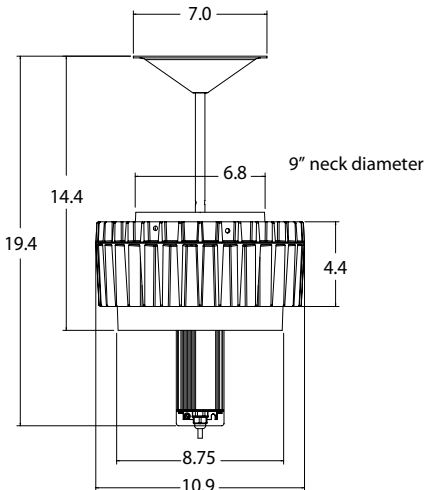
PTR9

EPA: .465 ft²

Weight: 14 lbs (6.35 kg)

Height: 19.4" (11.18 cm)

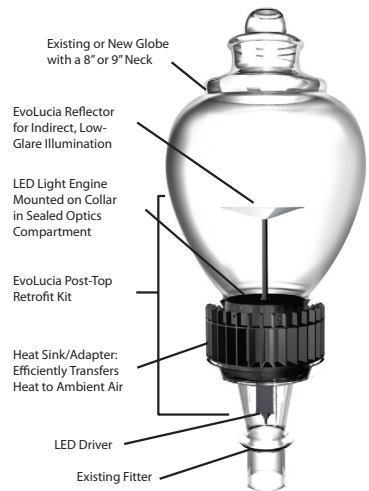
Diameter: 10.9" (27.69 cm)



9" Fitter



PFC50, PF50



Order Code

PTR

Family

Size

8 = 8" Globe Neck
9 = 9" Globe Neck

Wattage-Color Temp

48-45 = 48W, 4500K
60-45 = 60W, 4500K
90-45 = 90W, 4500K
48-60 = 48W, 6000K
60-60 = 60W, 6000K
90-60 = 90W, 6000K

Distribution Type

IND5 = Indirect Type V

Input Voltage

UNV = 100-277 VAC

Finish

BB = Black
CC = Custom Color
(Consult Factory)

Globe Options

Refer to table on page 3

Accessories

8F = 8" Fitter
9F = 9" Fitter

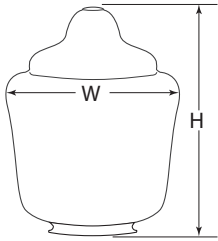
* All data subject to change without notice.

Reference www.EvoLuciaLighting.com or contact sales@sunoviaenergy.com for additional information. REV 01-2011
106 cattlemen road • sarasota fl 34232 • (941) 751-6800 • 1-866-806-7868 • www.evoluminalighting.com

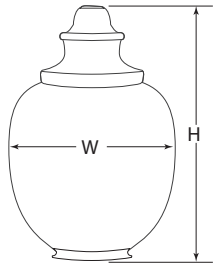
© 2011 EvoLucia® Inc.

EvoLucia
AIMED LED LIGHTING
a sunovia company

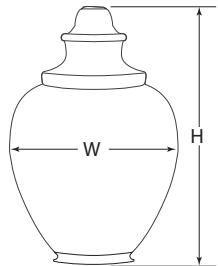
Replacement Textured Globes



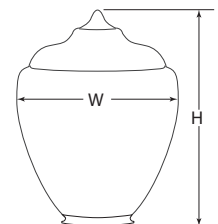
Type 60 & 61



Type 62



Type 63 & 66



Type 64

POLYCARBONATE							
Item No .	Type	Height	Width	Inside Dia.	Neck O. D.	Color	Compatible With
88060-CL -8F	60	20.69"	15.44"	7.12"	7.94"	Clear	PTR8
88060-CL -9F *	60	19.88"	15.44"	8.25"	9.12"	Clear	PTR9
88061-CL -8F	61	17.85"	12.75"	7.12"	7.94"	Clear	PTR8
88062-CL -8F	62	25.19"	16.50"	7.12"	8.00"	Clear	PTR8
88066-CL -8F	66	26.88"	16.60"	7.12"	8.00"	Clear	PTR8
88066-CL -9F	66	26.13"	16.60"	8.25"	9.12"	Clear	PTR9
88063-CL -8F	63	21.00"	14.00"	7.12"	8.00"	Clear	PTR8
88064-CL -8F	64	23.00"	15.13"	7.12"	8.00"	Clear	PTR8
ACRYLIC - IMPACT MODIFIED							
88260-CL -8F	60	20.69"	15.44"	7.12"	7.94"	Clear	PTR8
88260-W H-8F	60	20.69"	15.44"	7.12"	7.94"	White	PTR 8
88260-CL -9F *	60	19.88"	15.44"	8.25"	9.12"	Clear	PTR9
88260-W H-9F*	60	19.88"	15.44"	8.25"	9.12"	White	PTR 9
	61	17.85"	12.75"	7.12"	7.94"	Clear	PTR8
	61	17.85"	12.75"	7.12"	7.94"	White	PTR 8
88262-CL -8F	62	25.19"	16.50"	7.12"	8.00"	Clear	PTR8
88266-CL -8F	66	26.88"	16.60"	7.12"	8.00"	Clear	PTR8
88266-CL -8F	66	26.88"	16.60"	7.12"	8.00"	White	PTR 8
88266-CL -9F	66	26.13"	16.60"	8.25"	9.12"	Clear	PTR9
88266-W H-9F	66	26.13"	16.60"	8.25"	9.12"	White	PTR 9
88263-CL -8F	63	21.00"	14.00"	7.12"	8.00"	Clear	PTR8
88263-W H-8F	63	21.00"	14.00"	7.12"	8.00"	White	PTR 8
88264-CL -8F	64	23.00"	15.13"	7.12"	8.00"	Clear	PTR8
88264-W H-8F	64	23.00"	15.13"	7.12"	8.00"	White	PTR 8

Note: Additional globes are available upon request. Please consult factory.

To view photometric test reports and download IES files, visit evolucialighting.com/technical-library

* All data subject to change without notice.

Reference www.EvoLuciaLighting.com or contact sales@sunoviaenergy.com for additional information. REV 01-2011
 106 cattlemen road • sarasota fl 34232 • (941) 751-6800 • 1-866-806-7868 • www.evolucialighting.com
 © 2011 EvoLucia Inc.

EvoLucia
 AIMED LED LIGHTING
 a sunovia company