

Large LED Decorative Bell Luminaire

Up to 400W Replacement

- Saves more than 50% of energy usage
- Extremely durable; long life of up to 100,000 hour life with no bulb replacement
- Use of patented "Aimed Optics"™ provides more light for less energy
- Cutting-edge "heat sink" technology keeps the LEDs at their optimum performance temperature and extends product life
- Light uniformity increases visibility in parking lots and on roadways
- Full cutoff/Dark Sky-compliant; no light trespass
- Made in America and ARRA-Compliant



Features

- | | |
|---|---|
| <ul style="list-style-type: none"> • Applications: LED luminaire for cities and municipalities, roadways, universities, pedestrian areas, and park and recreation applications. • Light Distribution: Type II, Type III • Input Wattage: 200 Watts • L70 Life Expectancy: Up to 100,000 hours | <ul style="list-style-type: none"> • Durability: Heavy duty aluminum housing; durable, marine-grade powder coat finish. • Efficacy: Up to 75 lumens per watt • CRI: 70 or above • Warranty: Manufacturer warrants products to be free from defects for a period of five (5) years. Please refer to complete warranty and terms and conditions document. |
|---|---|

Specifications

- | | |
|--|--|
| <p>Housing:
One-piece cast, low-copper (<0.4% Cu) aluminum alloy.</p> <p>Lens Frame and Lens:
One-piece cast, low-copper (<0.4% Cu) aluminum alloy lens frame. Stainless steel hinges provided for attachment to housing. Corrosion-resistant organically coated steel thumb screws are provided for tool-less entry. The 3/16" thick clear, concave-tempered glass lens seals against the lens frame flange by a one-piece weather-resistant gasket to produce a fully sealed luminaire.</p> <p>Mounting:
Organically coated steel bolts are provided to attach the luminaire to mounting arms. Pole and arm are not included. Call factory for assistance in specifying.</p> <p>LED Modules:
The LED modules utilize an aluminum metal-clad board for maximum heat transfer, leading to longer life. The modules consist of various secondary optics allowing direction and intensity of the light to be tightly controlled. Control of the LEDs allows EvoLucia fixtures to maintain light levels equal to or greater than that of MH and HPS fixtures at much lower energy consumption levels.</p> | <p>LED Driver:
The LED driver is a constant-current device with a high-power factor correction to maximize power utilization. The driver meets UL 1310 / UL48 Class 2 with a built-in over-temperature protection. The input side of the driver is factory prewired with quick-disconnect plugs for attachment to the incoming wires. Passes FCC part 15, class B for both conducted and radiated emissions.</p> <p>Finish/Color:
Durable finish is TGIC thermoset polyester powder coat paint, 2.5 mil nominal thickness.</p> |
|--|--|



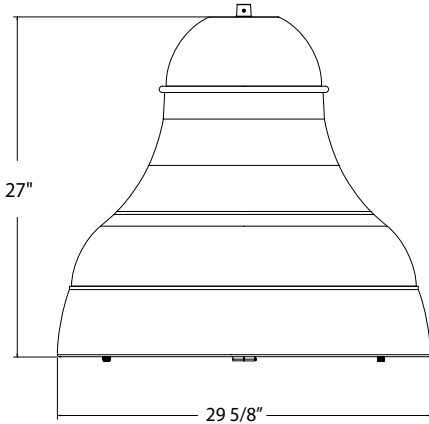
* All data subject to change without notice.

Reference www.EvoLuciaLighting.com or contact sales@sunoviaenergy.com for additional information. REV 01-2011
 106 cattlemen road • sarasota fl 34232 • (941) 751-6800 • 1-866-806-7868 • www.evoluminalighting.com

© 2011 EvoLucia® Inc.

Project:	Approval:
Specifier:	

Technical Specifications



EPA: 2.50 ft² **Height:** 27" (68.58 cm)
Weight: 105 lbs (47.63 kg) **Diameter:** 29 5/8" (75.25 cm)

Third-Party Testing and Certifications

The FVW has undergone extensive third-party testing, including:

- LM79 (LTL Laboratory)
- LM80 (LTL Laboratory)
- UL Testing and Certification

BUG Rating Available (LTL Laboratory)

Obtain up-to-date test results and certification documentation at www.evolutialighting.com/technicallibrary

Order Code

FVW28					
Family	Wattage	Optical Distribution	Voltage	Finish	
	200-45 = 200 - 4500K	T2 = Type II T3 = Type III	UNV = 100-277 VAC	BB = Black CC = Custom (Consult Factory)	

To view photometric test reports and download IES files, visit evolutialighting.com/technicallibrary.

* All data subject to change without notice.