

LED Canopy Light


100-175W Replacement

www.evocalighting.com

- Saves up to 70% of energy usage
- Extremely durable; up to 70,000 hour life with no bulb replacement
- Cutting-edge "heat sink" technology keeps the LEDs at their optimum performance temperature and extends product life
- Light uniformity increases visibility in a variety of semi-wet locations
- Made in America and ARRA-Compliant



Features

- **Applications:** LED Canopy Light for low-level security, parking structures, stairwells, K-12 schools, storage areas, and dock lighting
- **Light Distribution:** Type V
- **Input Wattage:** Available in 40 or 55 Watts
- **L70 Life Expectancy:** 70,000+ hours
- **Durability:** Powdercoat finish suitable for maritime environments.
- **Efficacy:** Up to 60 lumens per watt
- **CRI:** 70 or above
- **Listings/Ratings:**    **IP44**
- **Warranty:** Manufacturer warrants products to be free from defects for a period of five (5) years. Please refer to complete warranty and terms and conditions document.

Specifications

Construction:

Luminaire is constructed of a one-piece cast, low-copper (<0.4%CU) aluminum alloy.

Lens:

Lens made of a single-piece UV-stabilized prismatic polycarbonate. Optional polycarbonate diffuser available.

LED Modules:

The LED light engine utilizes an aluminum metal-clad board for maximum heat transfer and supreme thermal management to extend product life. The modules consist of various secondary optics allowing direction and intensity of the light to be tightly controlled. Control of the LEDs allows EvoLucia fixtures to maintain light levels equal to or greater than that of MH and HPS fixtures at much lower energy consumption levels and with an expected life that is greater than 70,000 hours.

LED Driver:

The LED driver is a constant-current device with a high-power factor correction to maximize power utilization. The driver meets UL 1310/UL 48 Class 2 with built-in over-temperature protection. Drive current not to exceed 525 mA. Driver lifetime is rated at 100,000 hours.

Finish/Color:

Finish is TGIC thermoset polyester powder coat paint, 2.5 mil nominal thickness. The standard colors are bronze and white. Custom colors are available; consult factory.

Installation:

Fixture mounts to recessed outlet box or can be surface-mounted. Fixture features 4 one-half inch (1/2") knockouts for mounting.



Advantage!
www.gsaadvantage.gov

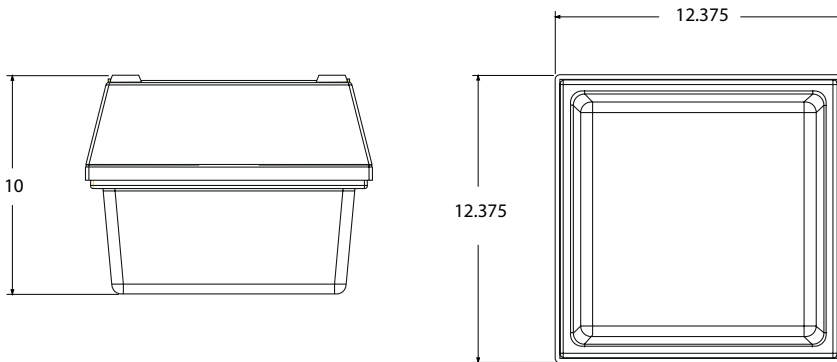
* All data subject to change without notice.

Reference www.EvoLuciaLighting.com or contact sales@sunoviaenergy.com for additional information. REV 01-2011
106 cattlemen road • sarasota fl 34232 • (941) 751-6800 • 1-866-806-7868 • www.evocalighting.com

© 2011 EvoLucia® Inc.

Project:	Approval:
Specifier:	

Technical Specifications



EPA: n/a **Weight:** 9 lbs (4.08 kg)
Square: 12 3/8" (31.43 cm) **Height:** 10" (25.40 cm)

Order Code

CAN12 /						
Family	Wattage-Color Temp	Distribution Type	Lens Type	Mounting	Input Voltage	Finish
	40-45 = 40W, 4500K 55-45 = 55W, 4500K 40-60 = 40W, 6000K 55-60 = 55W, 6000K	D5 = Direct Type V	PC = Prismatic Polycarbonate	CM = Ceiling Mount	UNV = 100-277 VAC Consult factory for other voltages	BZ = Bronze BW = White CC = Custom Color (Consult Factory)

To view photometric test reports and download IES files, visit evolucialighting.com/technicallibrary.

* All data subject to change without notice.

Reference www.EvoLuciaLighting.com or contact sales@sunoviaenergy.com for additional information. REV 01-2011
 106 cattlemen road • sarasota fl 34232 • (941) 751-6800 • 1-866-806-7868 • www.evolucialighting.com
 © 2011 EvoLucia® Inc.